

# High Performance BGA Cooling Solutions w/ Thermal Tape Attachment\*

DIGI-KEY PART # **ATS1282-ND**

ATS PART # ATS-55190K-C2-R0

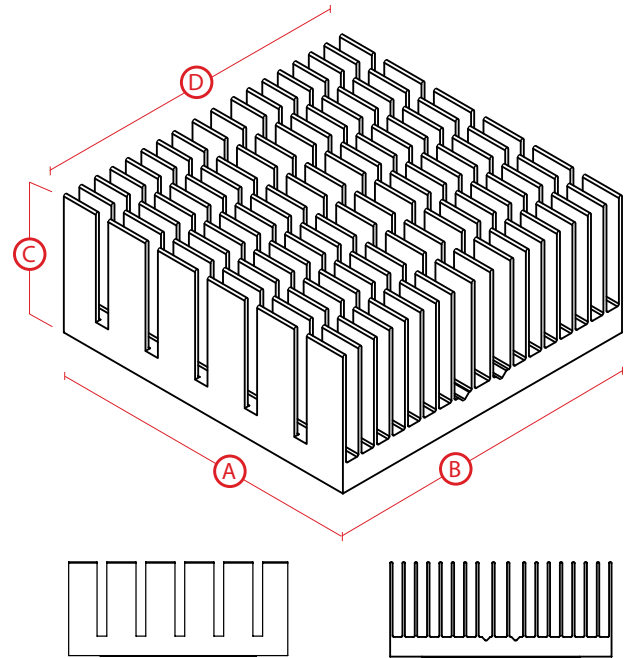
## Features & Benefits

High efficiency cross-cut fin design provides low pressure drop characteristics

Large surface area increases heat sink performance

Designed for BGAs and surface mount packages

Comes preassembled with high performance thermal interface material



## Thermal Performance Table

| AIR VELOCITY |     | THERMAL RESISTANCE |               |
|--------------|-----|--------------------|---------------|
| FT/MIN       | M/S | °C/W (UNDUCTED)    | °C/W (DUCTED) |
| 200          | 1.0 | 13.1               | NA            |
| 300          | 1.5 | NA                 |               |
| 400          | 2.0 | NA                 |               |
| 500          | 2.5 | NA                 |               |
| 600          | 3.0 | NA                 |               |
| 700          | 3.5 | NA                 |               |
| 800          | 4.0 | NA                 |               |

## Product Details†

| DIMENSION A | DIMENSION B | DIMENSION C§ | DIMENSION D | TIM‡ | FINISH         |
|-------------|-------------|--------------|-------------|------|----------------|
| 19          | 19          | 14.5         | N/A         | C675 | BLACK-ANODIZED |

For further technical information, please contact Advanced Thermal Solutions, Inc. at **1-781-769-2800** or [www.qats.com](http://www.qats.com)

\* RoHS Compliant

‡ TIM = Thermal Interface Material

† Dimensions are measured in millimeters

◆ Dimensions A & B refer to component size

§ Dimension C = the height of the heat sink shown above and does not include the height of the attachment method



**ATS** ADVANCED THERMAL SOLUTIONS, INC.

Innovations in Thermal Management®



To place an order, please visit [www.digikey.com](http://www.digikey.com)